



LIFTBOY 5

VERTICAL PLATFORMLIFT

LIFTBOY 5

The vertical platform lift Liftboy 5 convinces with its robust construction and aesthetic design. The lift is suitable for installations in public buildings as well as private homes.

Simple installation

The simple construction allows a fast installation with minimal structural works necessary on site.

Comfort

Optimal drive comfort is ensured by a stable and smooth lifting movement.

Reliable

The double scissor mechanism in combination with two strong actuators ensures a reliable, low-maintenance performance indoor as well as outdoor.

Simple access guaranteed by a **long access ramp** and a **minimal platform height**



Access ramp closes elegantly with the railing



Safety curtain and safety bars on all four sides provide for a high level of security

HINT

The integrated **emergency power supply** ensures safe lowering even in case of power failure

Main advantages of the Liftboy 5

- Platform sizes 900 x 1400 mm or 1100 x 1400 mm
- Emergency power supply with 24 V, batteries located on the platform
- Low platform height of only 125 mm and a long access ramp allow installation without a pit
- External controls are radio controlled
- Overload device, emergency lowering on the platform, and safety bars for up and downward drive for maximum safety
- Diagnostic display for status and fault indication
- Optional available: Door on platform, automatic door opener, glass shaft



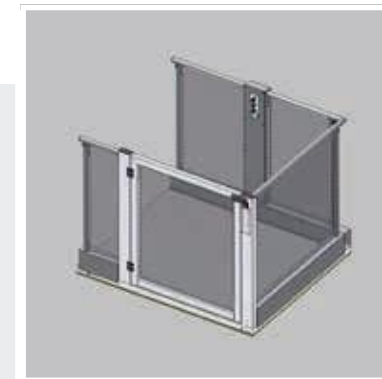
Lift can be manufactured in **any RAL colour**, standard colours are RAL 9007 and RAL 7035



Control on the platform with stop and alarm button, as well as a display for status and fault indication



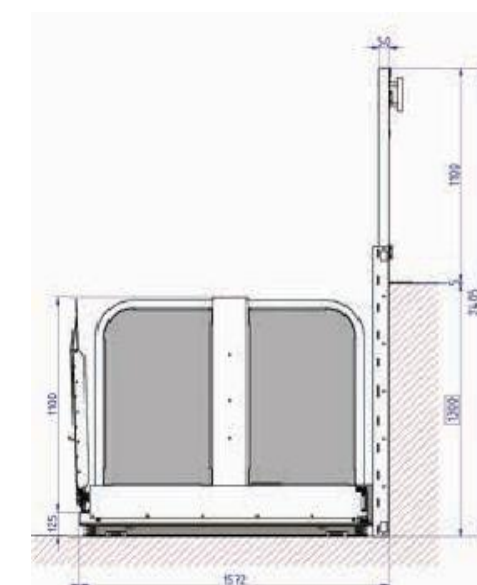
Installation in a pit and with door on the platform



Different access options such as **side entry** at lower landing

Liftboy 5 – Technical specification

Max. lifting height	1300 mm
Load capacity	315 kg
Platform size (internal)	900 x 1400 mm (standard) 1100 x 1400 mm (optional)
Minimal height of platform	125 mm
Lifting speed	25 mm/s
Drive system	24 V actuator with scissor mechanism
Power supply	1 x 230 V / 50-60 Hz
Temperature	+45°C bis -15°C
Battery	2 x 12 V / 9 Ah
Standard colours	RAL 9007 RAL 7035





Platform stairlifts



Chair stairlifts



Vertical platformlifts



Stairclimbers



Poollift



Contact your dealer for further information:

ALTITUDE
LIFTS 

 1300 844 427

 sales@altitudelifts.com.au

 www.altitudelifts.com.au

 Gnangara Showroom open by appointment

Official partner of:



Visit our website for more details about this lift